

6SMX Crystals

ISSUE 3; 21 MARCH 2000

Delivery Options

- Please contact our sales office for current leadtimes

Holder Style

- 6SMX surface mount crystals are housed in a hermetically glass sealed ceramic package
- A pad to pad replacement for the 5SMX & 32SMX crystals

General Specifications

- Load Capacitance (CL) 16pF to 32pF or Series
- Drive Level: 0.1mW max
- Static Capacitance (C₀): 5pF max

Packaging

- 6SMX surface mount crystals are available packaged individually or on tape and reel

Standard Frequencies

- 3.579545MHz, 3.68640MHz, 4.0MHz, 8.0MHz, 11.05920MHz, 14.74560MHz, 16.0MHz

Standard Frequency Tolerance and Stability

- ±50ppm

Operating Temperature Ranges

- 10 to 60°C

Storage Temperature Range

- 30 to 85°C

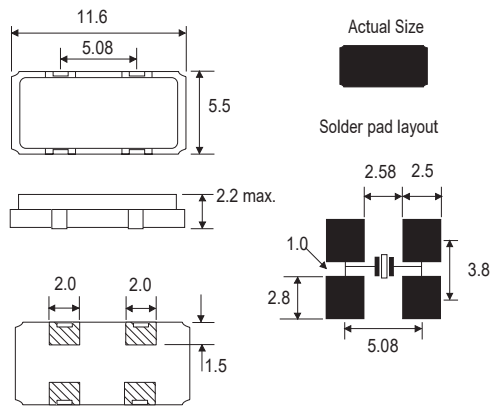
Marking

- Frequency

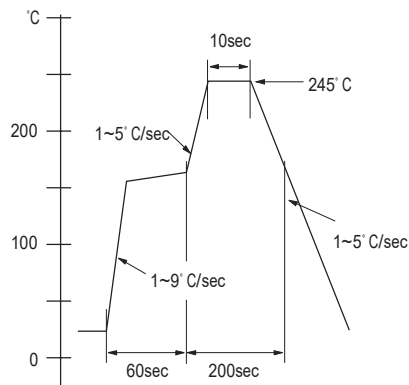
Minimum Order Information Required

- Frequency + Holder + Frequency Tolerance @ 25°C
+ Frequency Stability + Operating Temperature
Range + Circuit Condition + Overtone Order

Outline in mm (scale 2:1)



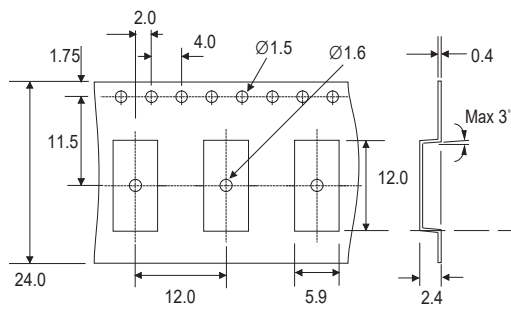
Typical Solder Condition - Infrared Reflow



Electrical Specification – maximum limiting values

Frequency Range	Frequency Tolerance @ 25°C ±2°C	Operating Temperature Range	Frequency Stability	ESR max.	Vibration Mode
3.2 to < 3.5MHz	±50ppm	-10 to 60°C	±50ppm	200Ω	Fundamental
3.5 to < 4.0MHz	±50ppm	-10 to 60°C	±50ppm	140Ω	Fundamental
4.0 to < 4.4MHz	±50ppm	-10 to 60°C	±50ppm	120Ω	Fundamental
4.4 to < 4.9MHz	±50ppm	-10 to 60°C	±50ppm	100Ω	Fundamental
4.9 to < 6.0MHz	±50ppm	-10 to 60°C	±50ppm	80Ω	Fundamental
6.0 to < 7.0MHz	±50ppm	-10 to 60°C	±50ppm	60Ω	Fundamental
7.0 to < 8.0MHz	±50ppm	-10 to 60°C	±50ppm	50Ω	Fundamental
8.0 to < 11.0MHz	±50ppm	-10 to 60°C	±50ppm	45Ω	Fundamental
11.0 to < 12.0MHz	±50ppm	-10 to 60°C	±50ppm	40Ω	Fundamental
12.0 to < 15.0MHz	±50ppm	-10 to 60°C	±50ppm	35Ω	Fundamental
15.0 to < 36.0MHz	±50ppm	-10 to 60°C	±50ppm	30Ω	Fundamental
27.0 to < 70.0MHz	±50ppm	-10 to 60°C	±50ppm	100Ω	3rd Overtone

Outline in mm - Tape



Outline in mm - Reel

